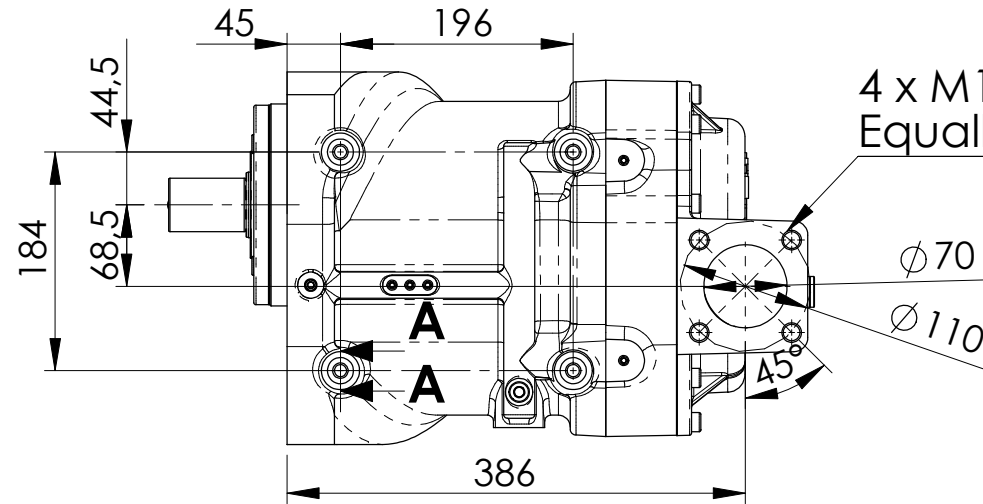
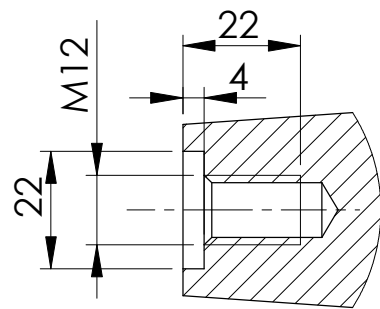




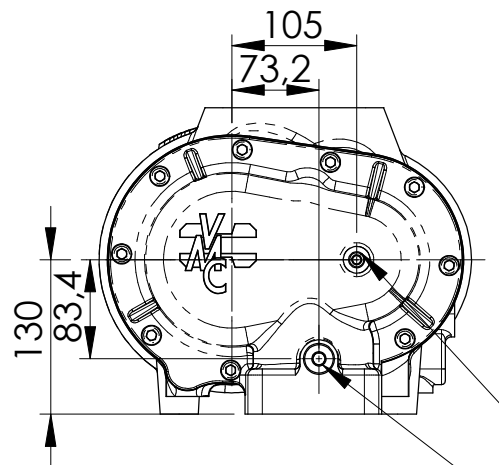
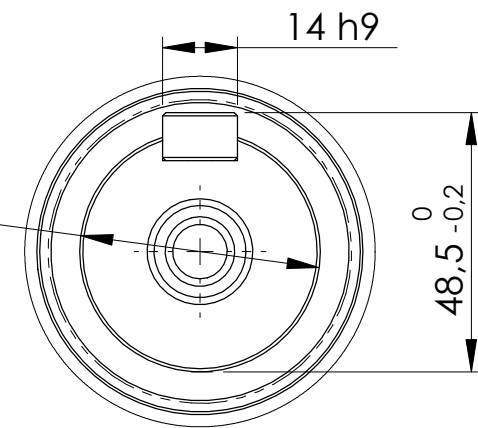
Valvole brevettate per compressori rotativi a vite e a piston  
 Patented valves for piston and screw rotary compressors

**GRUPPO VITE MOD. V150/B**  
**AIR END MOD. V150/B**

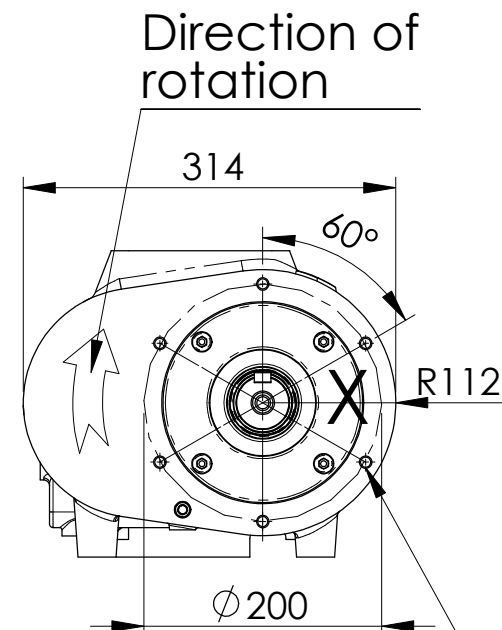
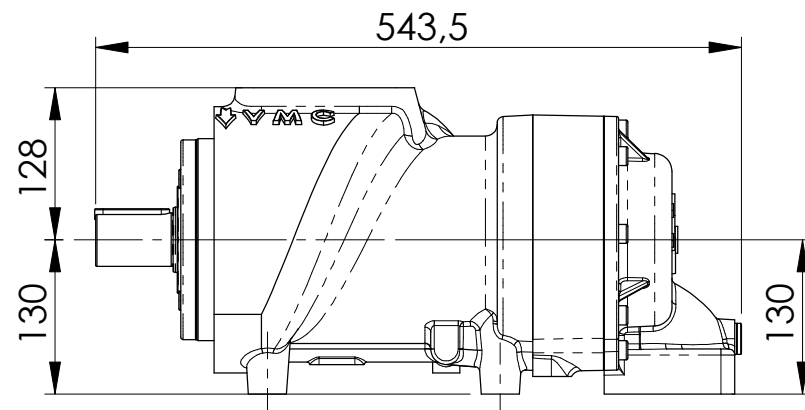
**SECTION A-A**  
**4 Holes to**  
**baseplate**  
**connection**  
**SCALE 1 : 2**



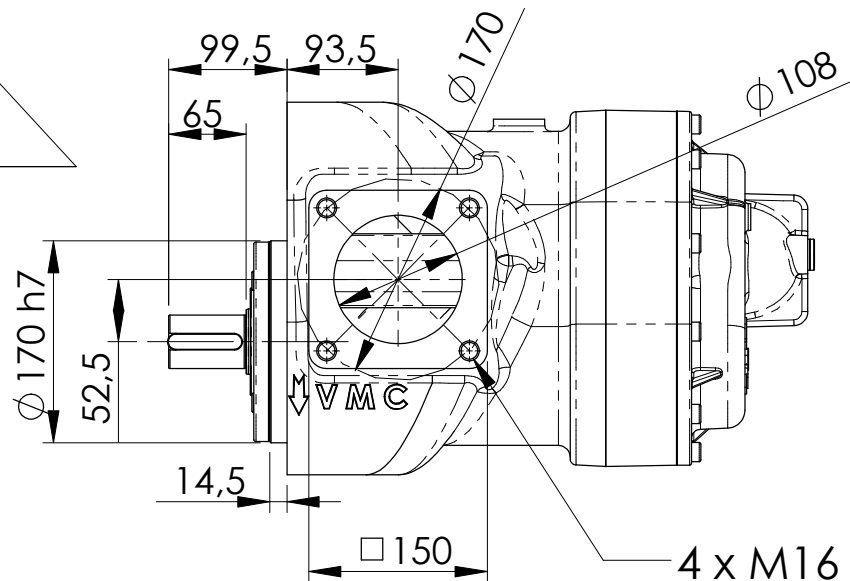
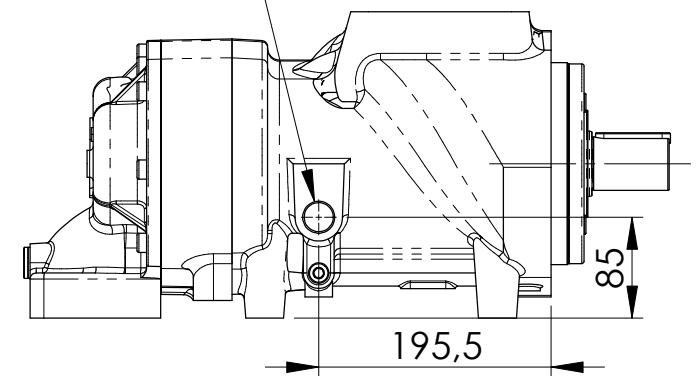
**DETAIL X**  
**SCALE 1 : 2**



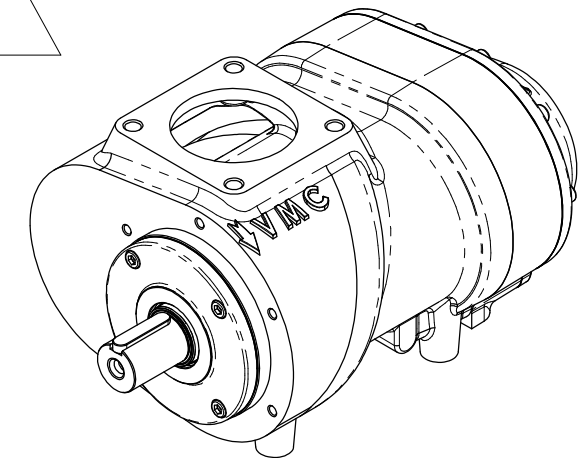
G1/2" Thread Depth 20  
 Drainage oil from oil separator  
 G1/4" Thread Depth 15



Oil Injection  
 G3/4" Thread Depth 20



4 x M16 Thread Depth 20  
 Equally Space



V.M.C. s.p.a. - Via A. Da Schio, 4/A-B - I-36051 CREAZZO (VI) - ITALY - Internet : [www.vmcitaly.com](http://www.vmcitaly.com)  
 Tel. +39 0444 / 521471 - 0444 / 341115 - Fax +39 0444 / 275112 - E-mail : [info@vmcitaly.com](mailto:info@vmcitaly.com)

|              |    |                       |    |              |       |                |     |                     |     |                  |    |
|--------------|----|-----------------------|----|--------------|-------|----------------|-----|---------------------|-----|------------------|----|
| TIPO<br>TYPE | PQ | REVISIONE<br>REVISION | 00 | DATA<br>DATE | 03/07 | GRUPPO<br>LINE | 930 | ARTICOLO<br>ARTICLE | .10 | MODELLO<br>MODEL | 00 |
|--------------|----|-----------------------|----|--------------|-------|----------------|-----|---------------------|-----|------------------|----|